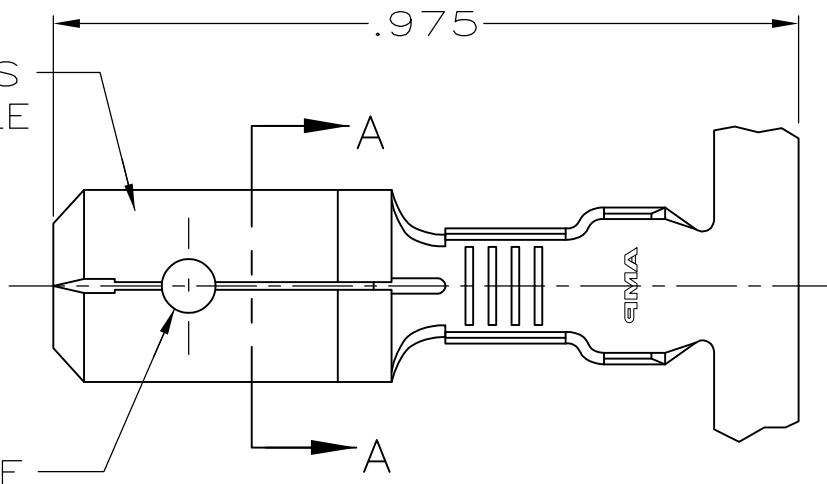


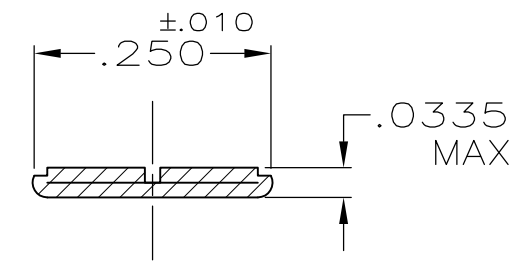
THIS DRAWING IS UNPUBLISHED. RELEASED FOR PUBLICATION  
 © COPYRIGHT - By - ALL RIGHTS RESERVED.

LOC	DIST	REVISIONS			
P	LTR	DESCRIPTION	DATE	DWN	APVD
AF	50	J	REVISED PER ECR-13-011489	06DEC2013	KH PD

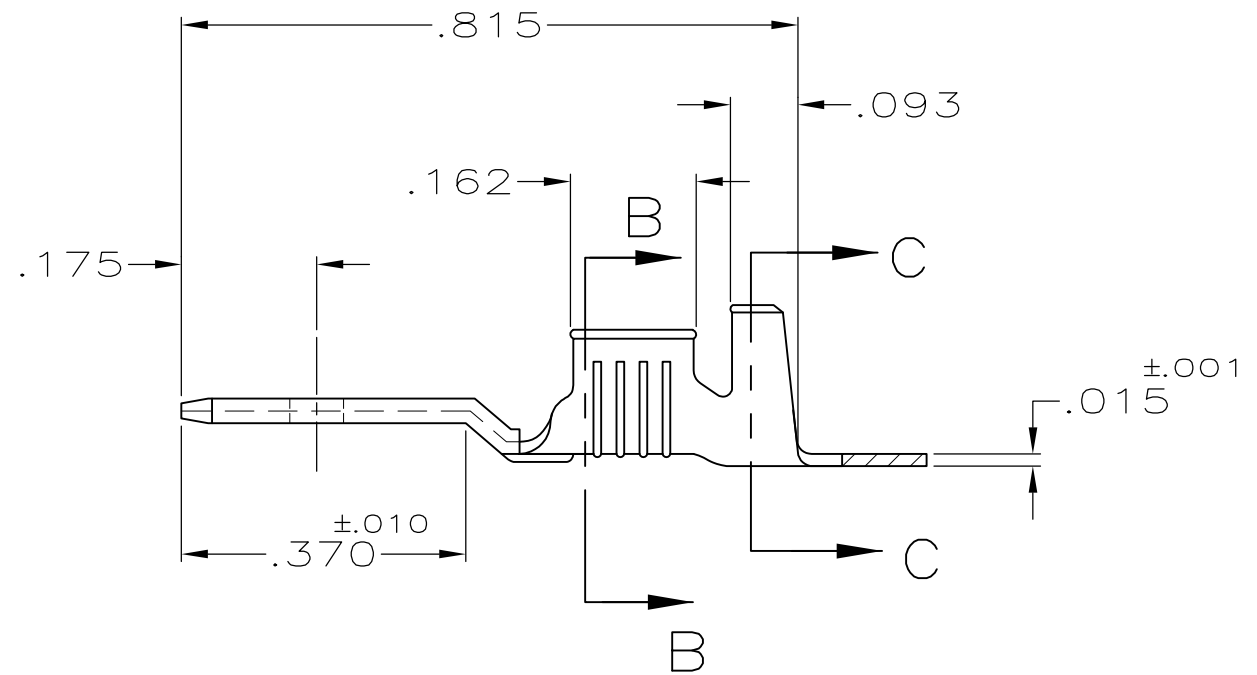
FITS .250 SERIES FASTON RECEPTACLE



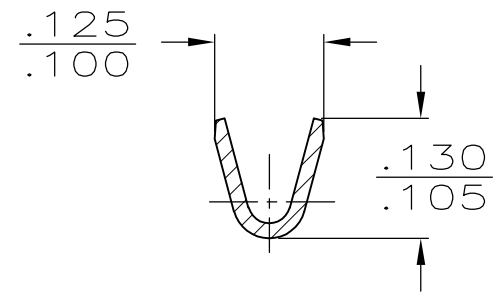
SECTION A-A  
SCALE 5:1



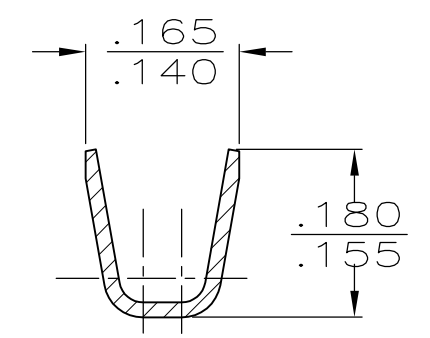
- 1 CONTINUOUS STRIP ON REELS.
- 2 FEED TO BE  $.540 \pm .005$ .
- 3 REVERSED REEL OF 42475-1.
- 4 REVERSED REEL OF 42475-2.
- 5 FOREIGN PRODUCTION ONLY.



SECTION B-B  
SCALE 5:1



SECTION C-C  
SCALE 5:1



FINISH	INSULATION RANGE	WIRE SIZE	PART NO
4 TIN	.080-.120 DIA	22-18 AWG	42475-4
3 -			42475-3
5 TIN			42475-2
5 -			42475-1

THIS DRAWING IS A CONTROLLED DOCUMENT.		DWN	JR RUTH	1/31/91	<b>TE Connectivity</b>			
DIMENSIONS: INCHES		CHK	MS FEHER	1/31/91				
TOLERANCES UNLESS OTHERWISE SPECIFIED:		APVD	C MEYERS	1/31/91	TAB, FASTON, .250 SERIES			
0 PLC ± - 1 PLC ± - 2 PLC ± - 3 PLC ± .015 4 PLC ± - ANGLES ± -		PRODUCT SPEC		APPLICATION SPEC		RESTRICTED TO		
MATERIAL: BRASS		FINISH: SEE TABLE		WEIGHT: -		SIZE: A3	CAGE CODE: 00779	DRAWING NO: C-42475
CUSTOMER DRAWING				SCALE: 4:1	SHEET: 1 OF 1	REV: J		